

Innovation

Concentration

Intelligent

Profitable



FEATURES

- Components from world class suppliers
- Automotive class PCB technology
- Optimized thermal design
- Silicone Rubber Gaskets & Seals
- Integrated enclosure design
- Integrated air valve
- 1000 hours of neutral salt spray testing
- User friendly interface
- Intelligent monitoring system

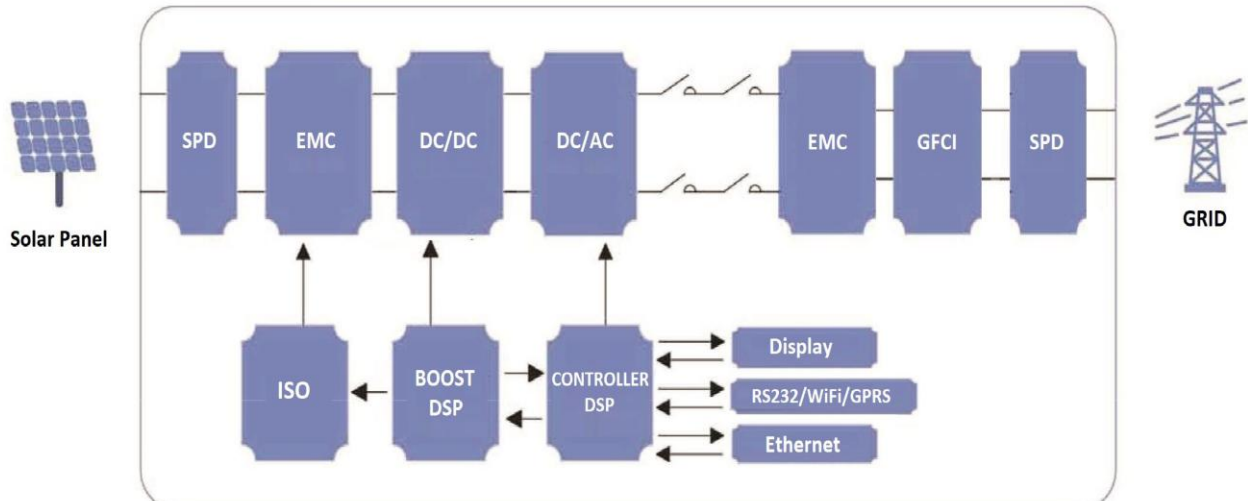
ADVANTAGES

- Longer MTBF (Mean Time Between Failures)
- Higher quality guaranteed
- Lower heat generation
Faster heat dissipation
- High performance sealing
- High performance sealing possible
Less chance of moisture invasion
- Reduction of condensation
- Suitable for harsh environments
- Easy to operate
- Easy to manage and maintain

BENEFITS

- More electricity output
Less down time
- Higher quality guaranteed
- Reliable and stable under severe conditions
- Lower internal operation temperature
Longer component life
- Suitable for humid operation environments
- Operationable in more applications: fishing ponds, agricultural area, greenhouses, coastal areas
- Easy installation and maintenance possible
- Data analysis
Less maintenance

CIRCUIT DIAGRAM



TECHNICAL DATA

Model	KSY-30KW	KSY-33KW	KSY-35KW	KSY-40KW	KSY-50KW	KSY-60KW	KSY-70KW	KSY-80KW	
Input (DC)									
Nominal Input Power (KW)	30	33	35	40	50	60	70	80	
Max. Peak DC Input Power (KW)	33	36	38.5	44	55	66	81.5	82.5	
Max. DC I/P (V dc)	1000V DC								
Max. MPPT I/P Current(A)	28.5A								
MPPT Short Circuit Current(A)	37 Amps								
MPPT Tracking Voltage(Vdc)	200-1000V								
Min. Start/Shut down (V)	250VDC/ 150VDC(low) & 1000 VDC(High)								
Number of MPPT Tracker	2			2/3/4					
strings per MPPT Trackers	3			3					
Output (AC)									
Nominal output power (KW)	30	33	35	40	50	60	70	80	
Max Peak Output Power (KW)	32	36	38.5	42	52	66	77	82.5	
Nominal Grid Voltage (V)	320-470V User Defined								
Nominal Grid freq.(Hz)	47-55 HZ Auto Selection								
Max. output current AC(A)	43	47.8	51	58	72.4	91	100	114	
AC Connection (With PE)	3P + N + E								
THD (%)	<2.3%								
Power factor(%)	>99.99%(User Defined from 0.85 to 0.99)								
Efficiency									
Max. conversion eff. (%)	98.6	98.7	98.7	98.6	98.6	98.9	98.9	98.9	
Max. Euro Efficiency(%)	98.2	98.2	98.2	98.1	98.2	98.2	98.2	98.2	
Max. MPPT Efficiency (%)	>99%								
Standards, Safety & Protections									
Protection & Safety	DC Reverse Polarity, DC High/Low/Over Current Protection, DC/AC Side SPD, Thermal Protection, GDT, Static ELCB/RCCB, User Define Grid Monitoring Setting & Anti Islanding								
SPD	Type-2 & Type-3 SPD With GDT								
MPPT Efficiency	EN 50530								
Inverter Efficiency	IEC 61685								
Protection Class	1(According to IEC 62103)								
Over Voltage Category	PVII / Mains II (According to IEC 62109-1)								
Safety Standard	IEC 62109-1&2								
EMC Standard	IEC61000-6-1/2/3/4								
Environment Protection	IEC 60068-2-1/2/14/15								
Product Safty for relay	IEC 60255-27:2013								
Anti-Islanding	IEC-62116								
Ingress Protection	IP 65 (Accordance to IEC 60529)								
Physical Parameters									
Dimensions(WXHxD) mm	500 X 700 X 310								
Weight (Kg)	65	65	65	68	68	65	68	70	
General Data									
Operating Temperature	Minus 25 to Plus 60 Degree								
Design Life	Over 25 years								
Night Con. (W)/Noise Level	<0.2/<25dB								
Heat Dissipation	Forced Cooling + Natural Convection								
RH/Max. Altitude	0% to 98%. No Condensation/<2000 without power derating								
Display	LED with LCD Display								
DC /AC Connectors	MC4/H4								
Communication Interface	RS 485/RS 232/Hotspot/WiFi/GPRS/ETHERNET LAN								
Standard Warranty	5 Years/10 Years (For Selected Model)								

Web Monitoring

The KSolare monitoring System is based on , cloud computing, and other new technologies for PV system, from the various device (RS-485,wifi, GPRS) the data is transmitted to remote service platform for data storage & analysis which is displayed in various visual & graphical formats on Web-App & big screen display also for bigger platform it can be customized as per customer request.

